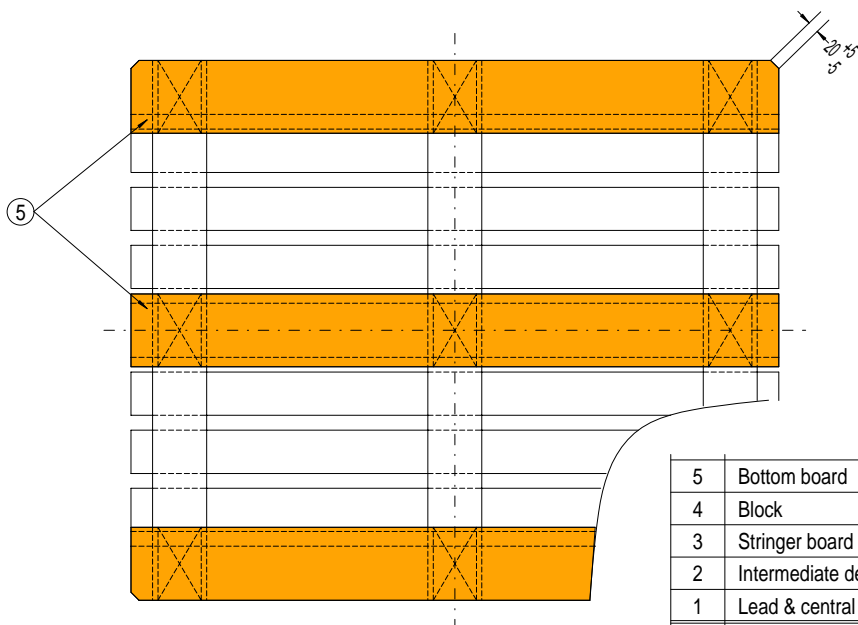
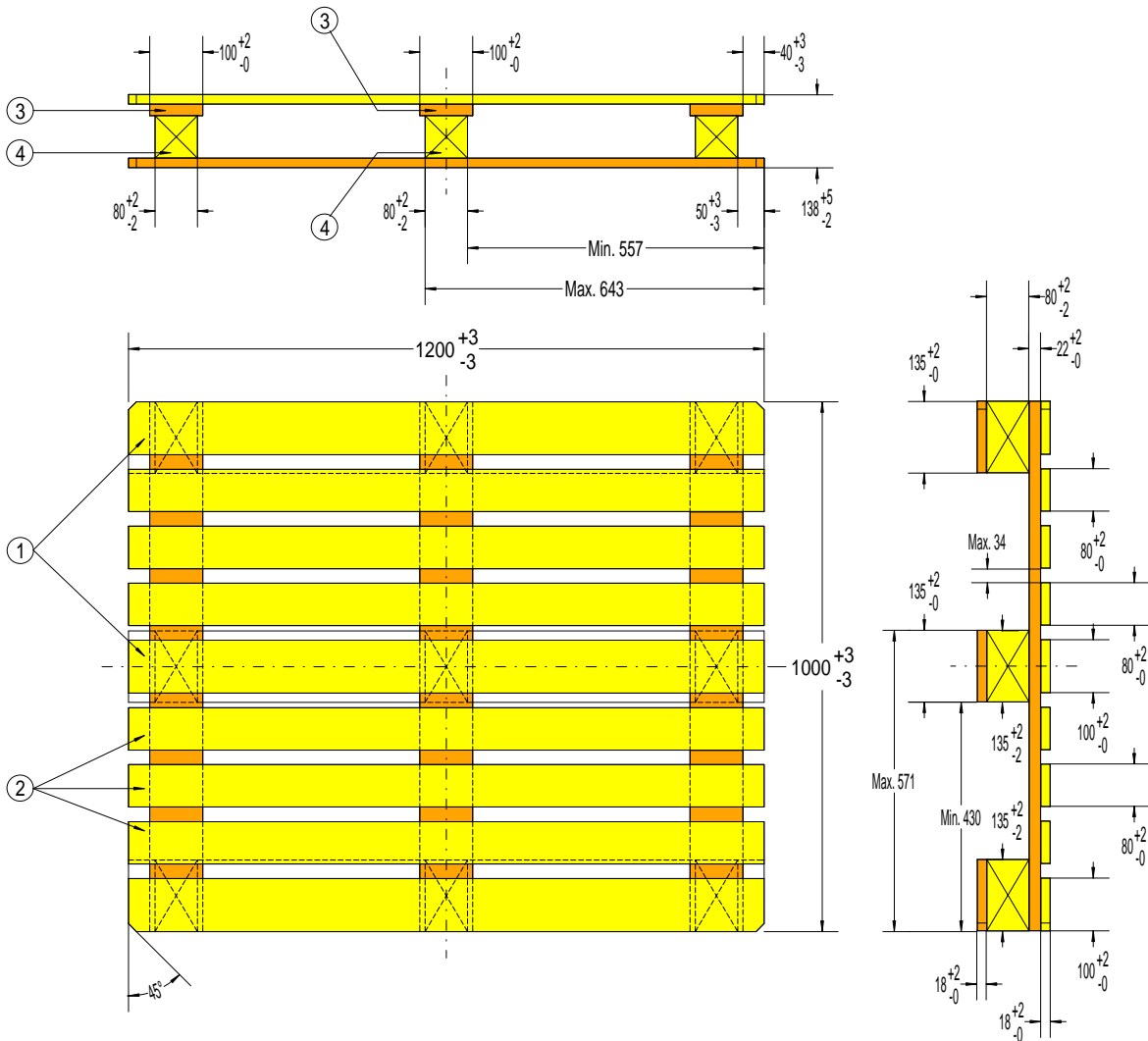


# Design drawing



| 5   | Bottom board              | 3      | 1200 x 135 x 18    |
|-----|---------------------------|--------|--------------------|
| 4   | Block                     | 9      | 135 x 80 x 80      |
| 3   | Stringer board            | 3      | 1000 x 100 x 22    |
| 2   | Intermediate deck board   | 6      | 1200 x 80 x 18     |
| 1   | Lead & central deck board | 3      | 1200 x 100 x 18    |
| Nr. | Denomination              | Number | Nominal dimensions |

Nominal timber volume: 40,0 dm<sup>3</sup>

Unit of measurement: mm Projection

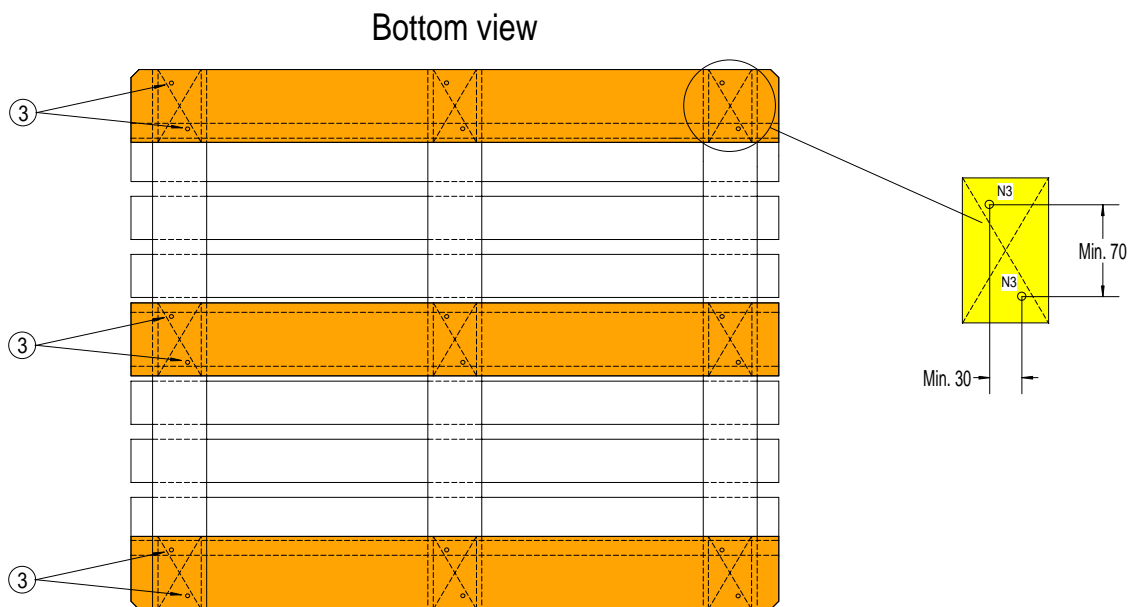
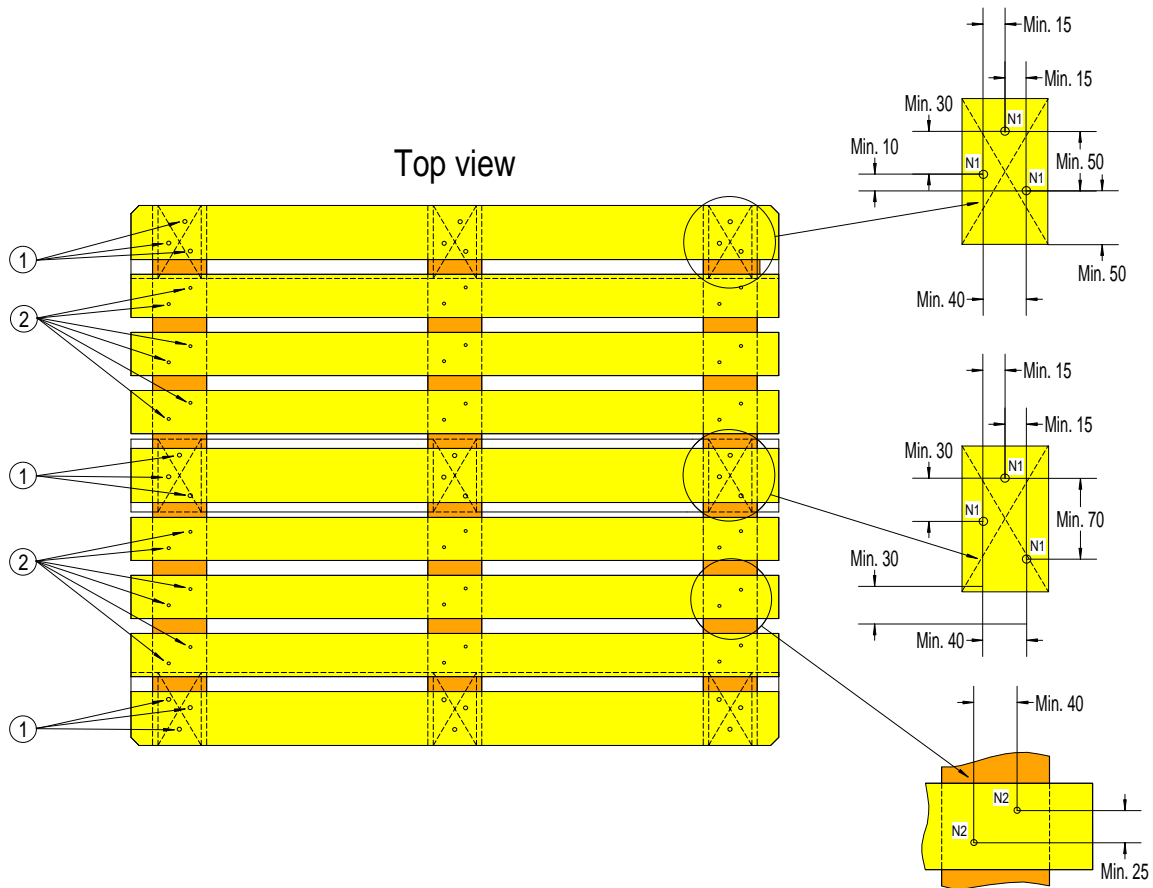
Wooden pallet 1000 x 1200 mm

# CP1

April 2004

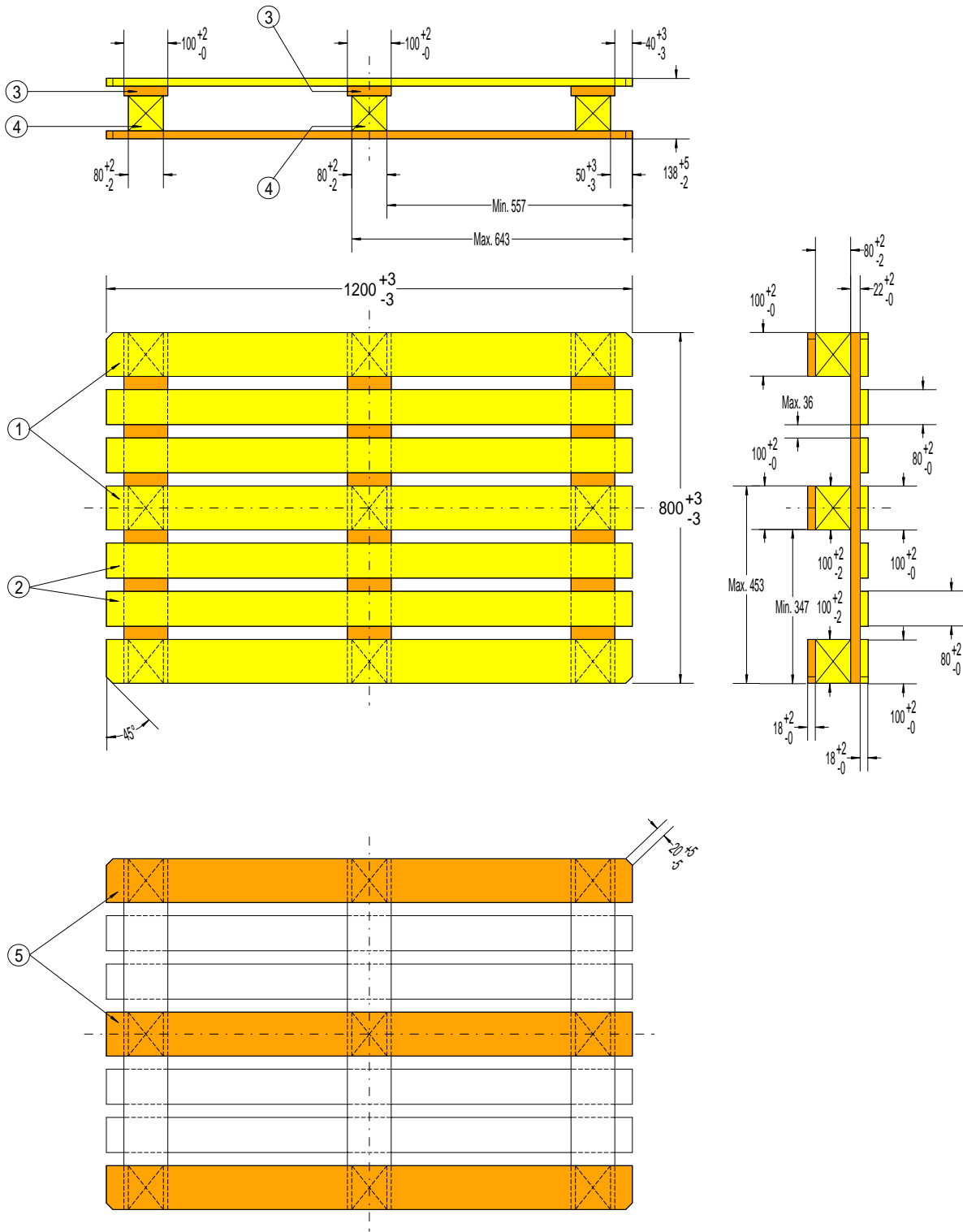
Edition: 6

# Fastening pattern



|                              |  |              |
|------------------------------|--|--------------|
| 3                            | Bottom board - block                               | 18 x N3      |
| 2                            | Intermediate deck board - stringer board           | 36 x N2      |
| 1                            | Lead & central deck board - stringer board - block | 27 x N1      |
| Position                     | Joint  | Number       |
|                              |  | <h1>CP1</h1> |
| Unit of measurement: mm      |  |              |
| Wooden pallet 1000 x 1200 mm |  |              |
|                              |  | April 2004   |
|                              |  | Edition: 6   |

# Design drawing



| 5   | Bottom board              | 3      | 1200 x 100 x 18    |
|-----|---------------------------|--------|--------------------|
| 4   | Block                     | 9      | 100 x 80 x 80      |
| 3   | Stringer board            | 3      | 800 x 100 x 22     |
| 2   | Intermediate deck board   | 4      | 1200 x 80 x 18     |
| 1   | Lead & central deck board | 3      | 1200 x 100 x 18    |
| Nr. | Denomination              | Number | Nominal dimensions |

Nominal timber volume: 30,9 dm<sup>3</sup>

Unit of measurement: mm Projection

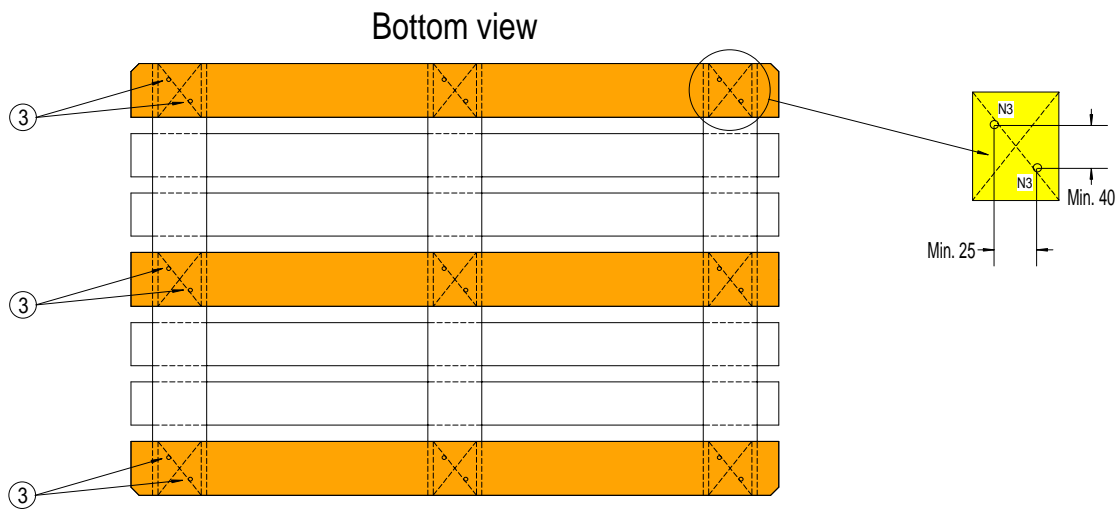
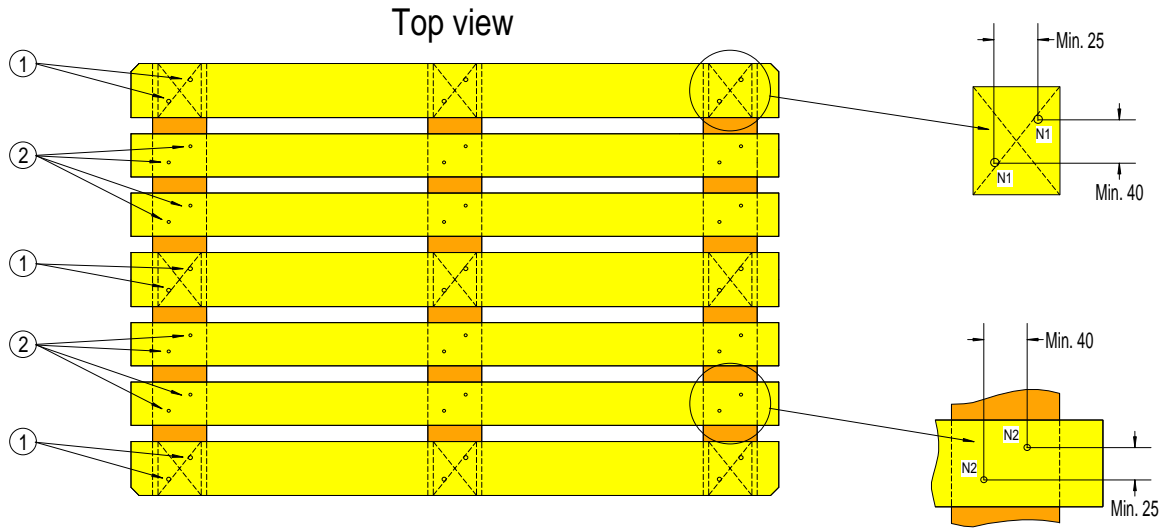
Wooden pallet 800 x 1200 mm

# CP2

April 2004

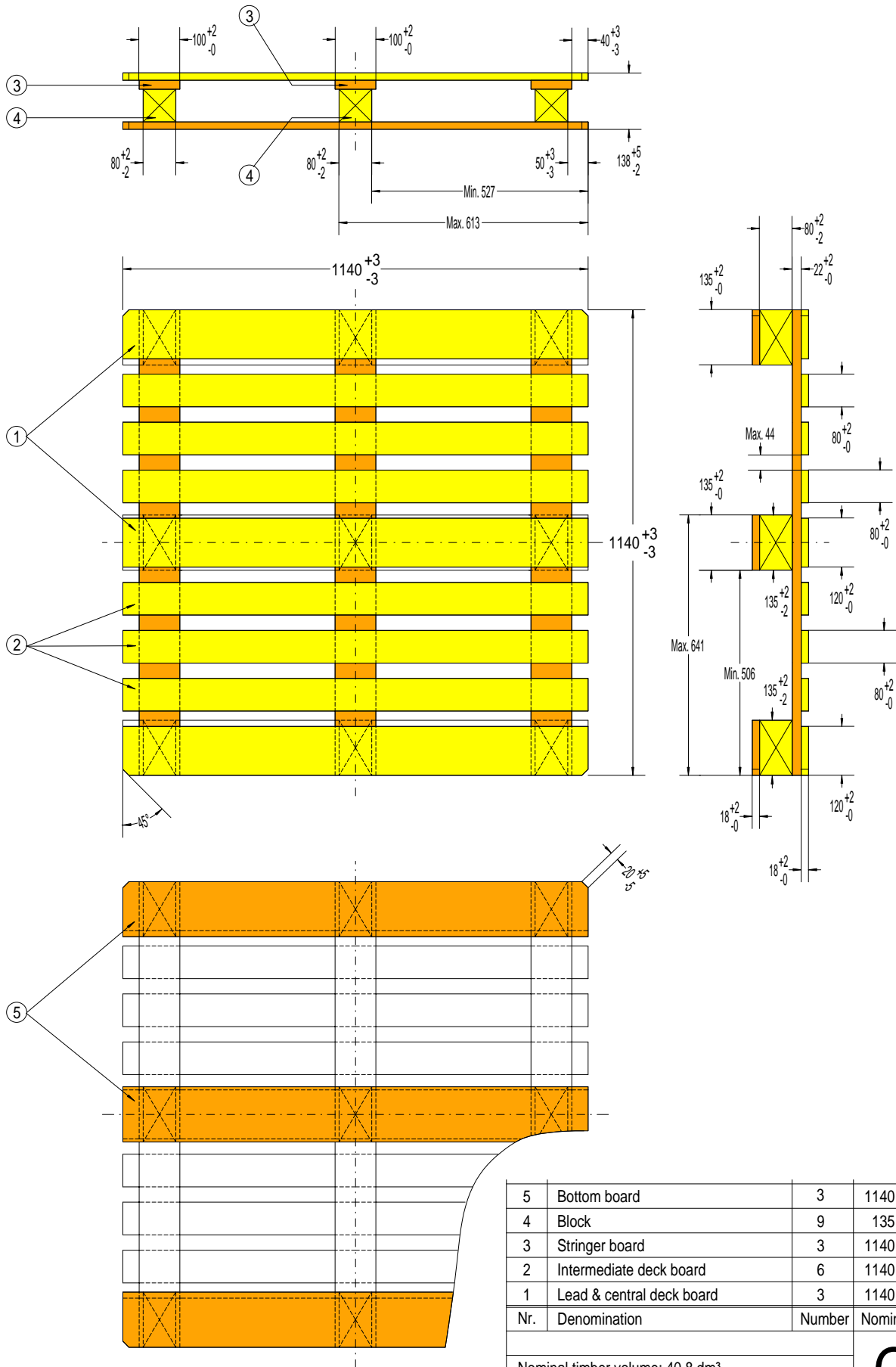
Edition: 6

# Fastening pattern



| 3                           | Bottom board - block                               | 18 × N3    |
|-----------------------------|--|------------|
| 2                           | Intermediate deck board - stringer board           | 24 × N2    |
| 1                           | Lead & central deck board - stringer board - block | 18 × N1    |
| Position                    | Joint  | Number     |
| Unit of measurement: mm     |  | <b>CP2</b> |
| Wooden pallet 800 × 1200 mm |  |            |
|                             |  | April 2004 |
|                             |  | Edition: 6 |

# Design drawing



| 5   | Bottom board              | 3      | 1140 x 135 x 18    |
|-----|---------------------------|--------|--------------------|
| 4   | Block                     | 9      | 135 x 80 x 80      |
| 3   | Stringer board            | 3      | 1140 x 100 x 22    |
| 2   | Intermediate deck board   | 6      | 1140 x 80 x 18     |
| 1   | Lead & central deck board | 3      | 1140 x 120 x 18    |
| Nr. | Denomination              | Number | Nominal dimensions |

Nominal timber volume: 40,8 dm<sup>3</sup>

Unit of measurement: mm Projection

Wooden pallet 1140 x 1140 mm

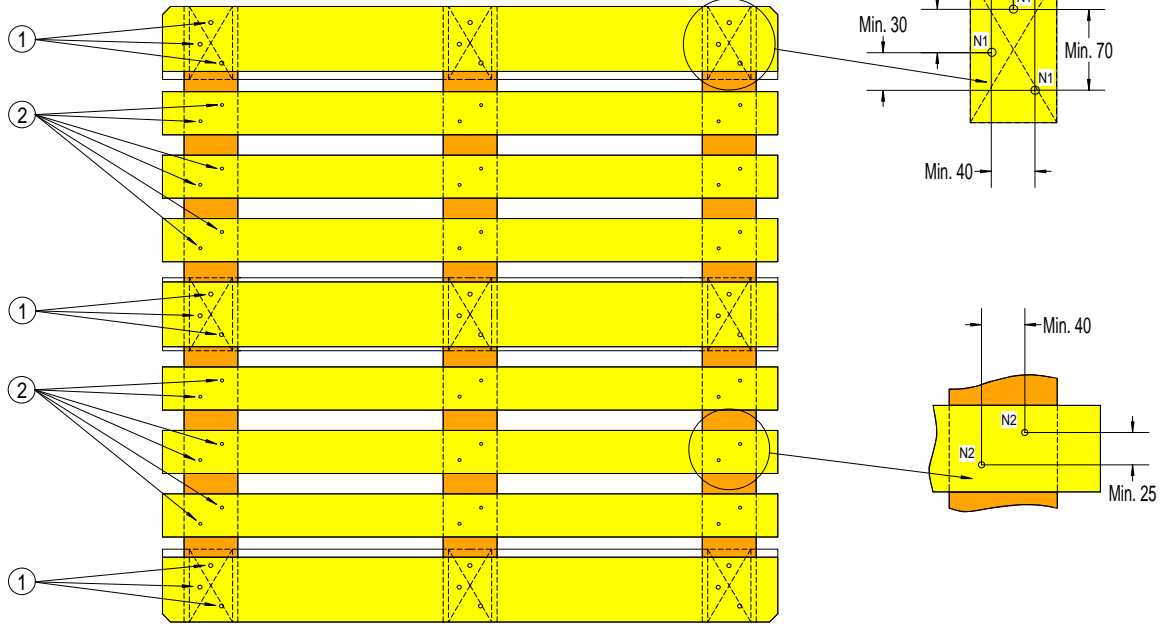
# CP3

April 2004

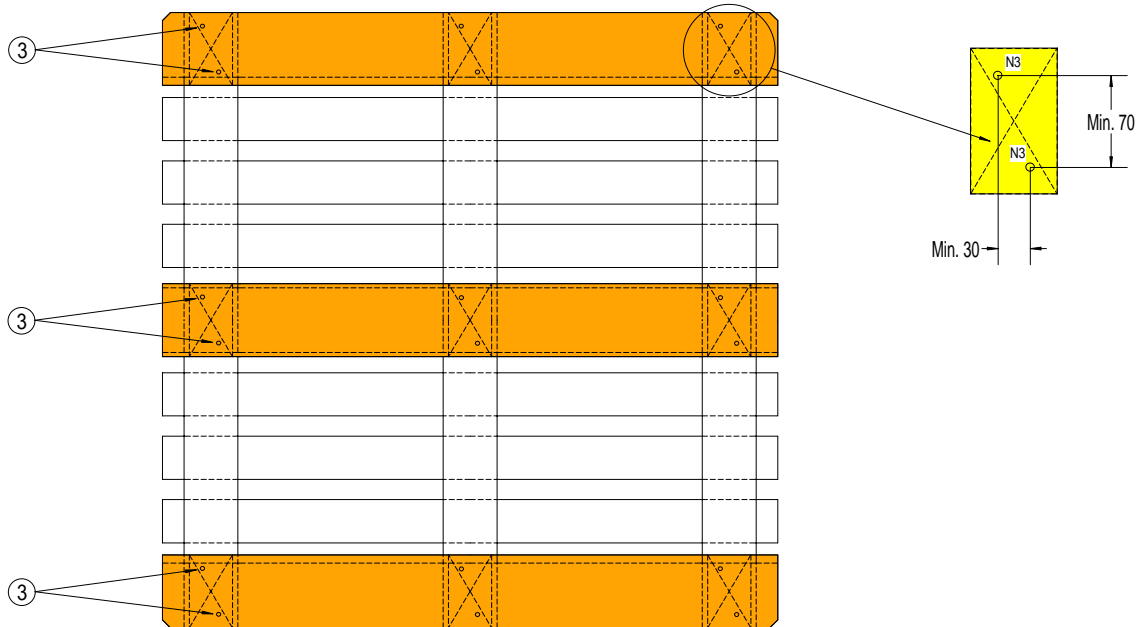
Edition: 6

# Fastening pattern

## Top view



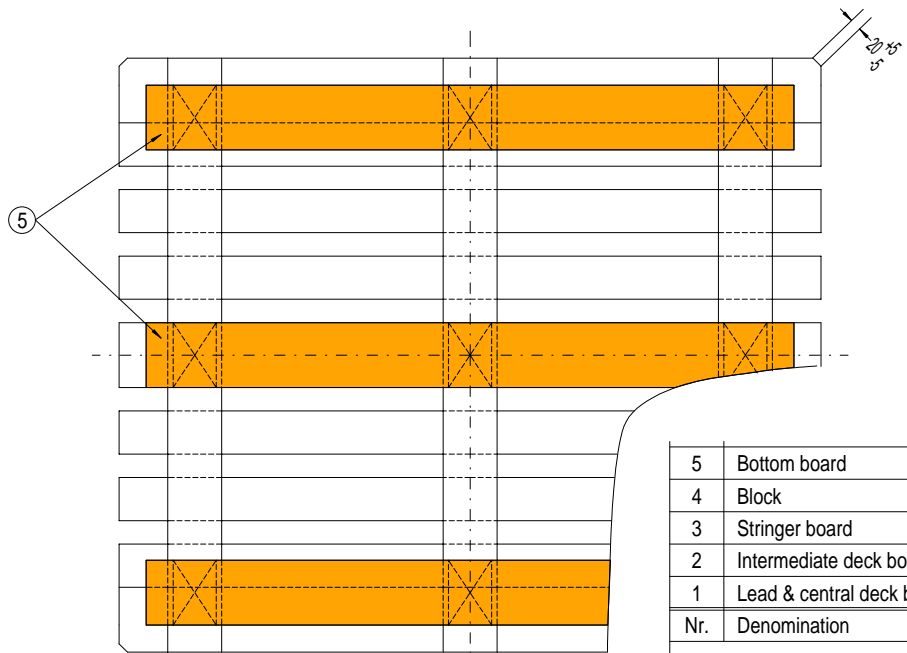
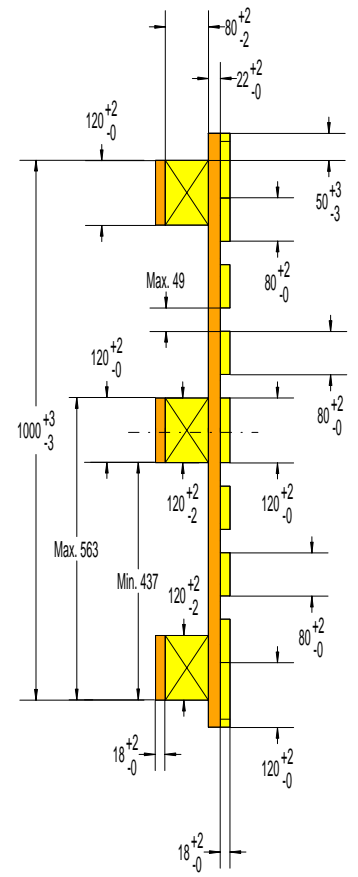
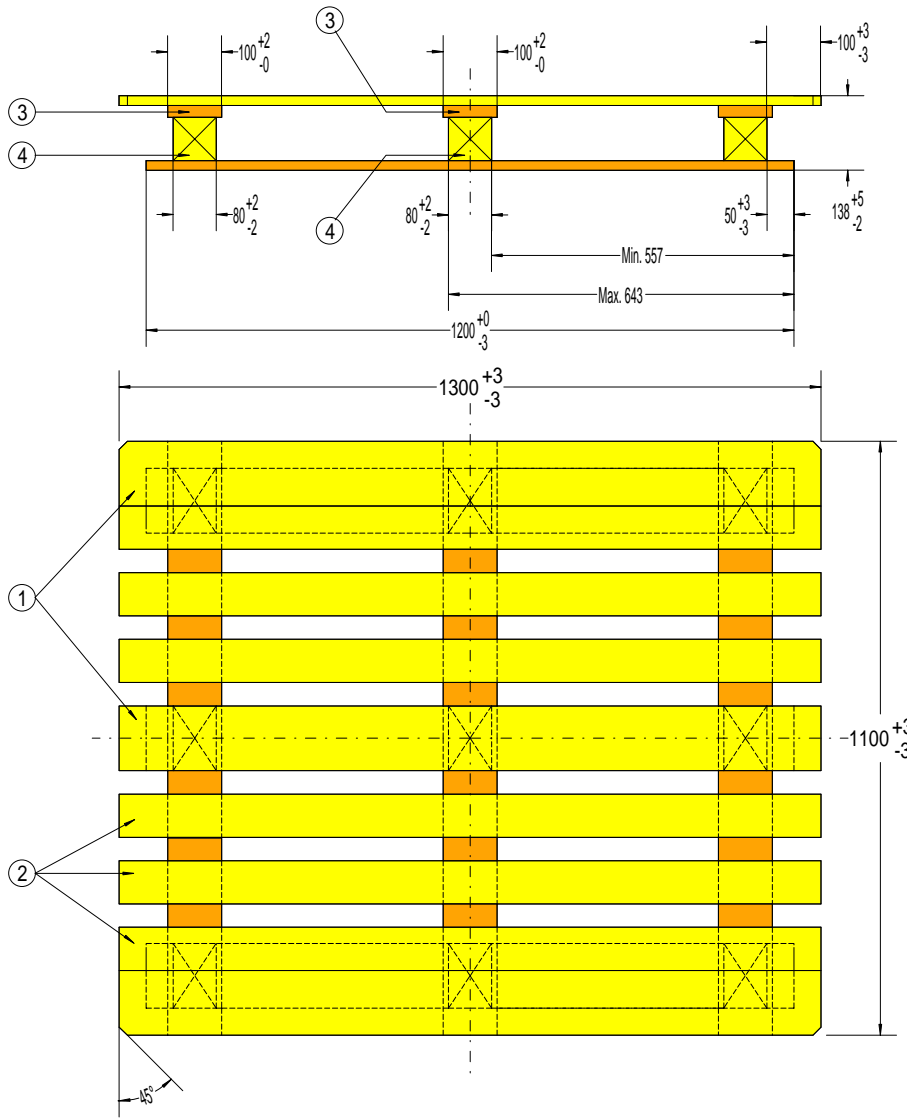
## Bottom view



|                              |  |            |
|------------------------------|--|------------|
| 3                            | Bottom board - block                               | 18 × N3    |
| 2                            | Intermediate deck board - stringer board           | 36 × N2    |
| 1                            | Lead & central deck board - stringer board - block | 27 × N1    |
| Position                     | Joint  | Number     |
| Unit of measurement: mm      |  | <b>CP3</b> |
| Wooden pallet 1140 × 1140 mm |  |            |
|                              |  | April 2004 |
|                              |  | Edition: 6 |

# Design drawing

Attention, the position of the deck boards has been changed!



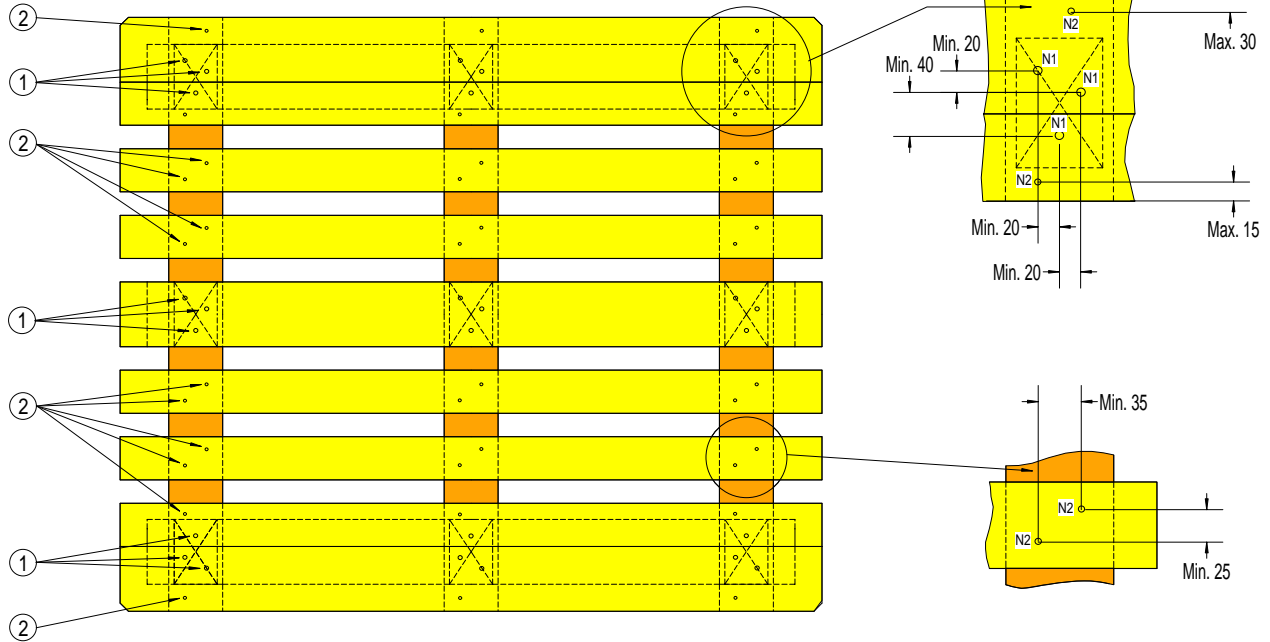
| Nr. | Denomination              | Number | Nominal dimensions |
|-----|---------------------------|--------|--------------------|
| 5   | Bottom board              | 3      | 1200 x 120 x 18    |
| 4   | Block                     | 9      | 120 x 80 x 80      |
| 3   | Stringer board            | 3      | 1100 x 100 x 22    |
| 2   | Intermediate deck board   | 6      | 1300 x 80 x 18     |
| 1   | Lead & central deck board | 3      | 1300 x 120 x 18    |

Nominal timber volume: 41,6 dm<sup>3</sup>  
 Unit of measurement: mm    Projection   
**Wooden pallet 1100 x 1300 mm**

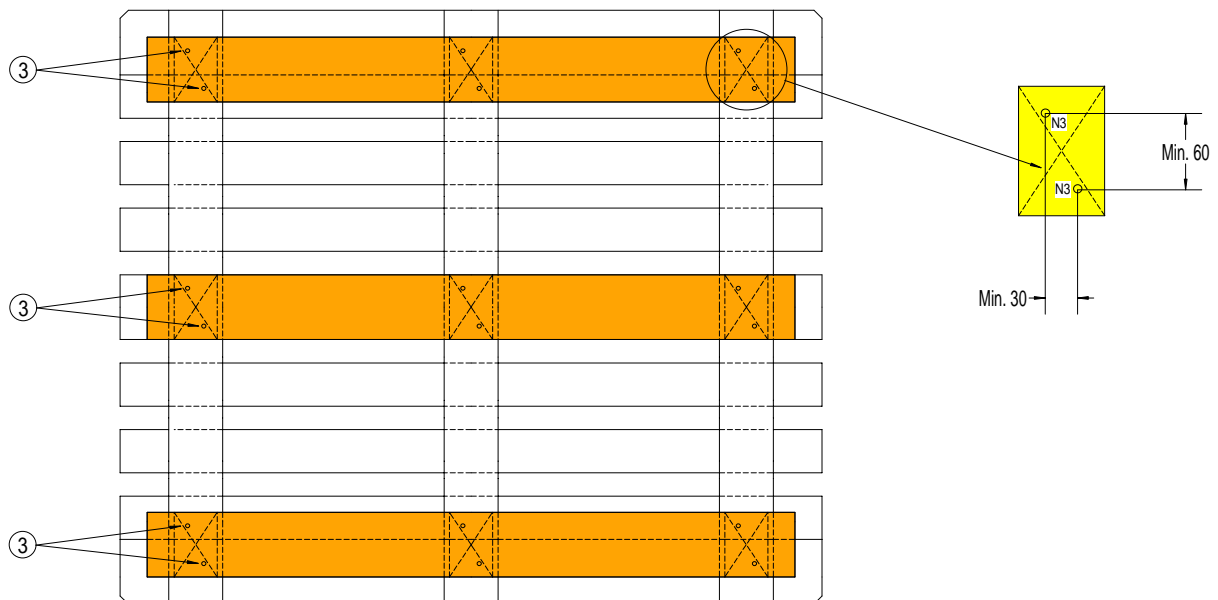
**CP4**  
 April 2004  
 Edition: 6

# Fastening pattern

## Top view



## Bottom view



|          |  |         |
|----------|--|---------|
| 3        | Bottom board - block                               | 18 x N3 |
| 2        | Deck board - stringer board                        | 42 x N2 |
| 1        | Lead & central deck board - stringer board - block | 27 x N1 |
| Position | Joint  | Number  |

Unit of measurement: mm

Wooden pallet 1100 x 1300 mm

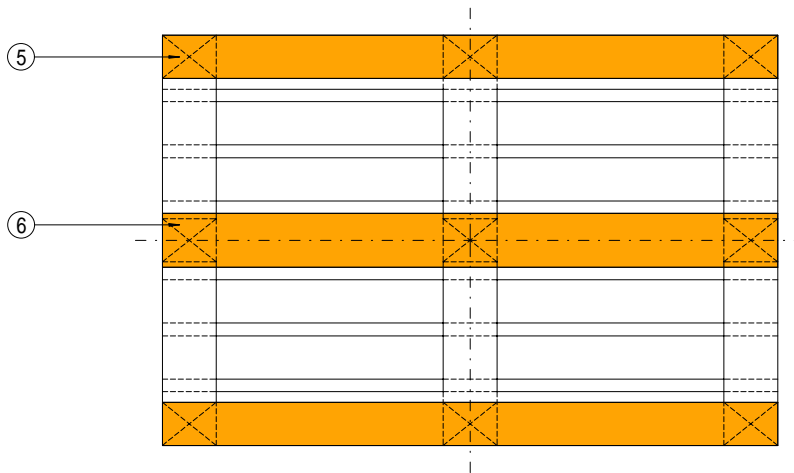
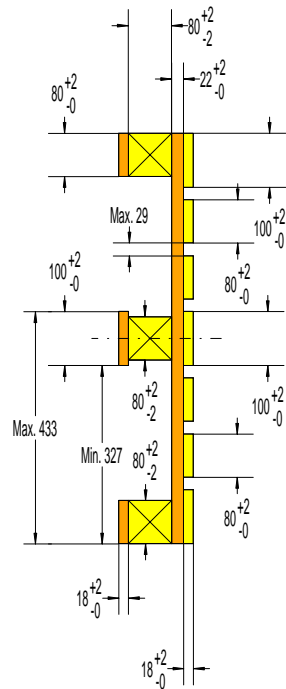
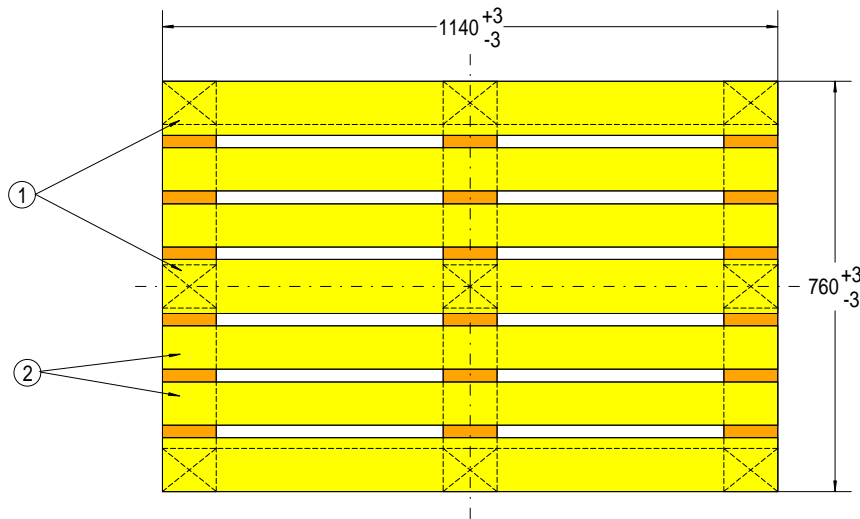
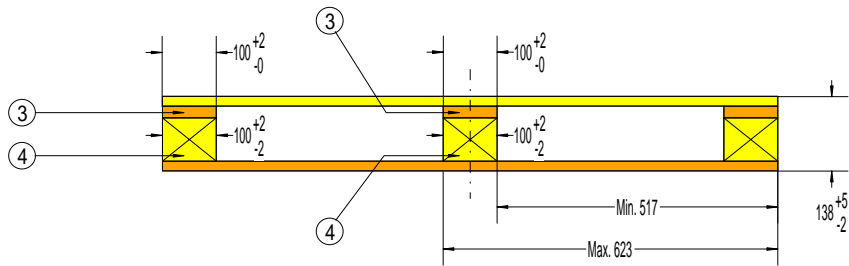
# CP4

April 2004

Edition: 6



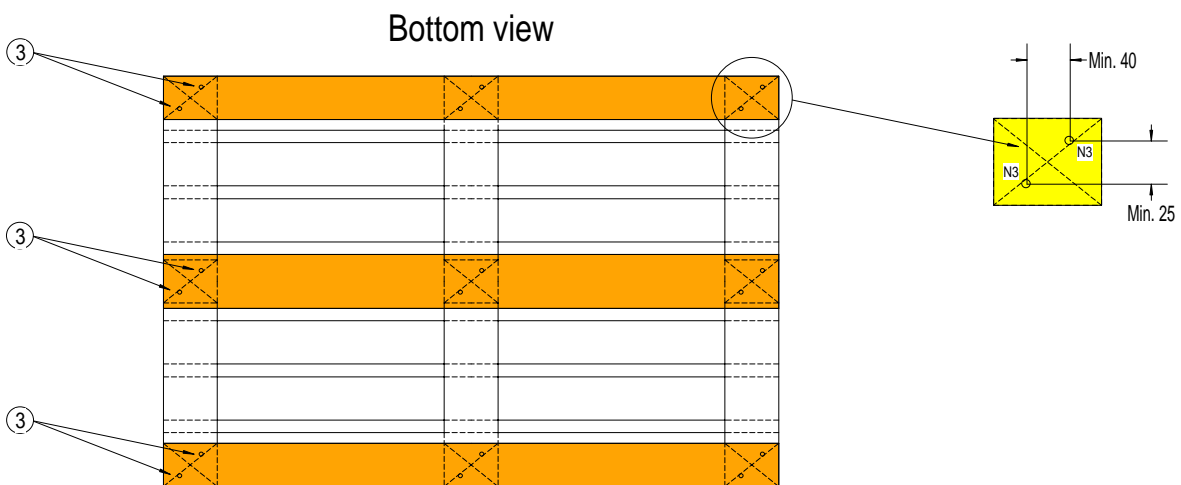
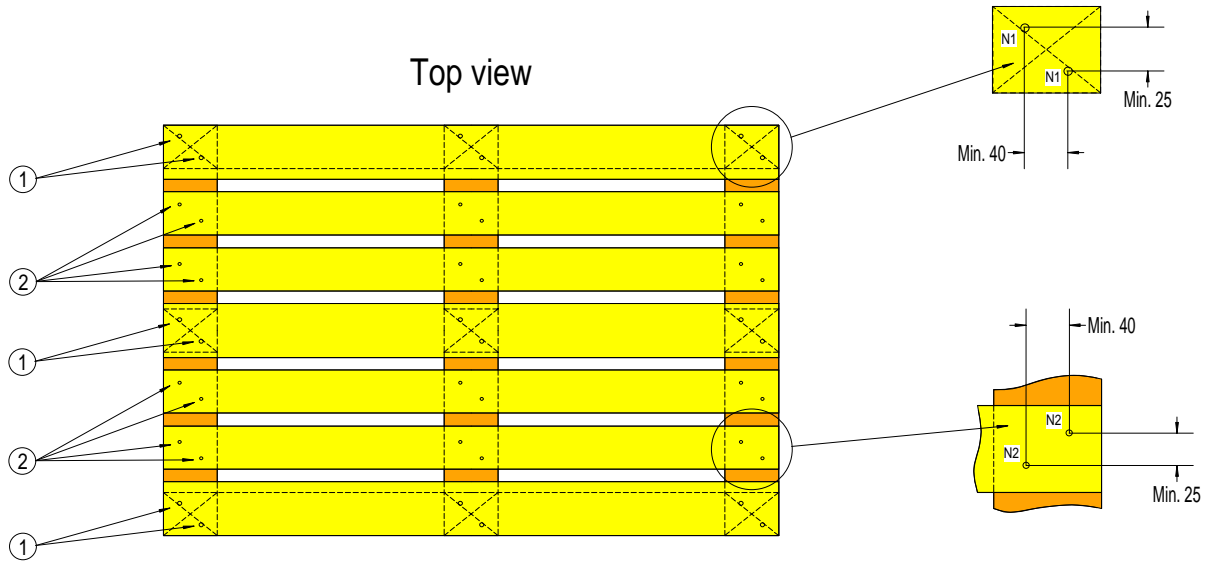
# Design drawing



|   |                           |   |                 |
|---|---------------------------|---|-----------------|
| 6 | Central bottom board      | 1 | 1140 x 100 x 18 |
| 5 | Lead bottom board         | 2 | 1140 x 80 x 18  |
| 4 | Block                     | 9 | 100 x 80 x 80   |
| 3 | Stringer board            | 3 | 760 x 100 x 22  |
| 2 | Intermediate deck board   | 4 | 1140 x 80 x 18  |
| 1 | Lead & central deck board | 3 | 1140 x 100 x 18 |

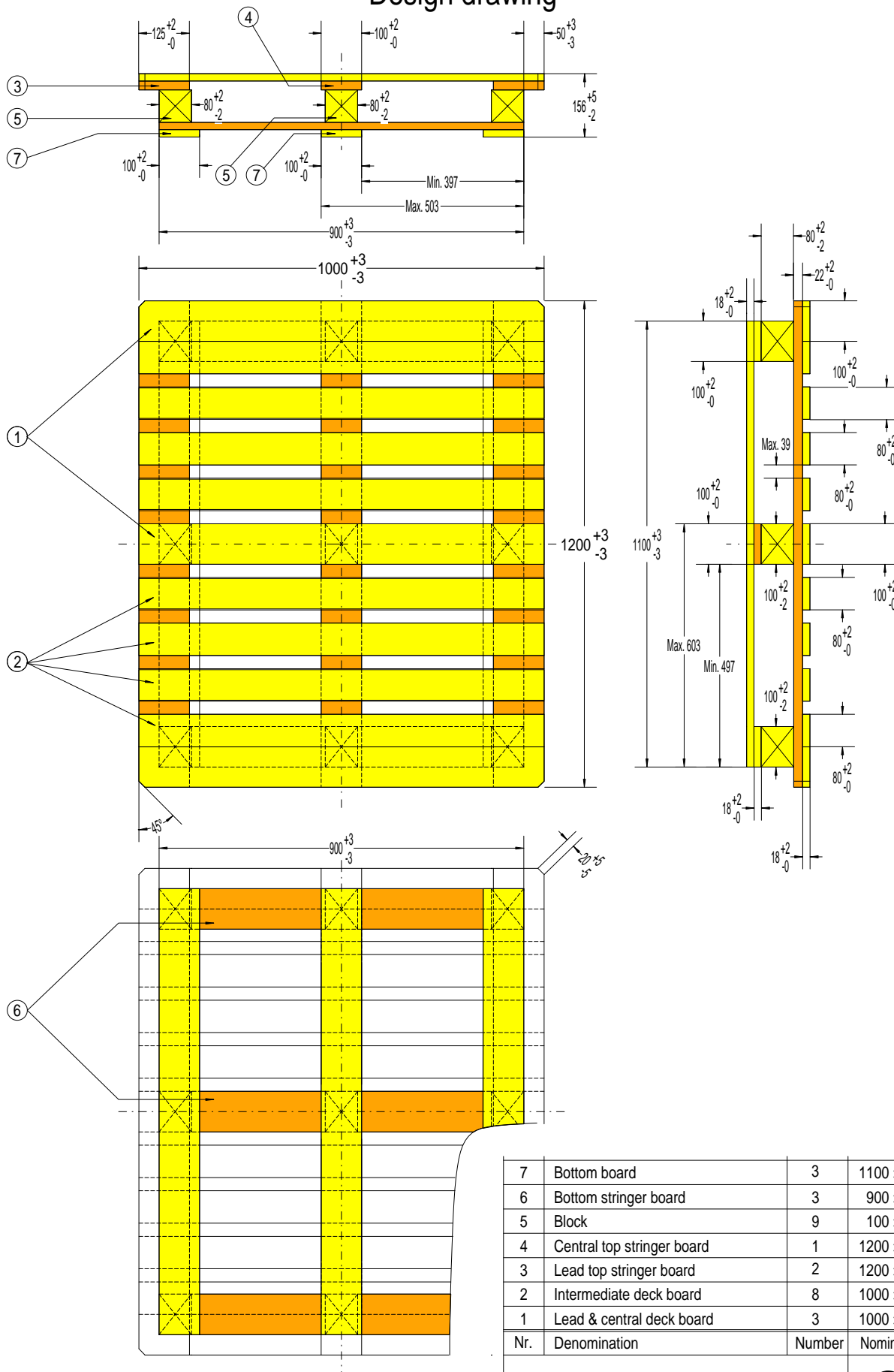
| Nr.   | Denomination | Number     | Nominal dimensions |
|---|--------------|------------|--------------------|
| Nominal timber volume: 28,8 dm <sup>3</sup> |              |            | <b>CP5</b>         |
| Unit of measurement: mm                     |              | Projection |                    |
| Wooden pallet 760 x 1140 mm                 |              |            | April 2004         |
|   |              |            | Edition: 6         |

# Fastening pattern

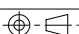


| 3                           | Lead & central bottom board - block                | 18 × N3      |
|-----------------------------|--|--------------|
| 2                           | Intermediate deck board - stringer board           | 24 × N2      |
| 1                           | Lead & central deck board - stringer board - block | 18 × N1      |
| Position                    | Joint  | Number       |
|                             |  | <h1>CP5</h1> |
| Unit of measurement: mm     |  |              |
| Wooden pallet 760 × 1140 mm |  |              |
|                             |  | April 2004   |
|                             |  | Edition: 6   |

# Design drawing



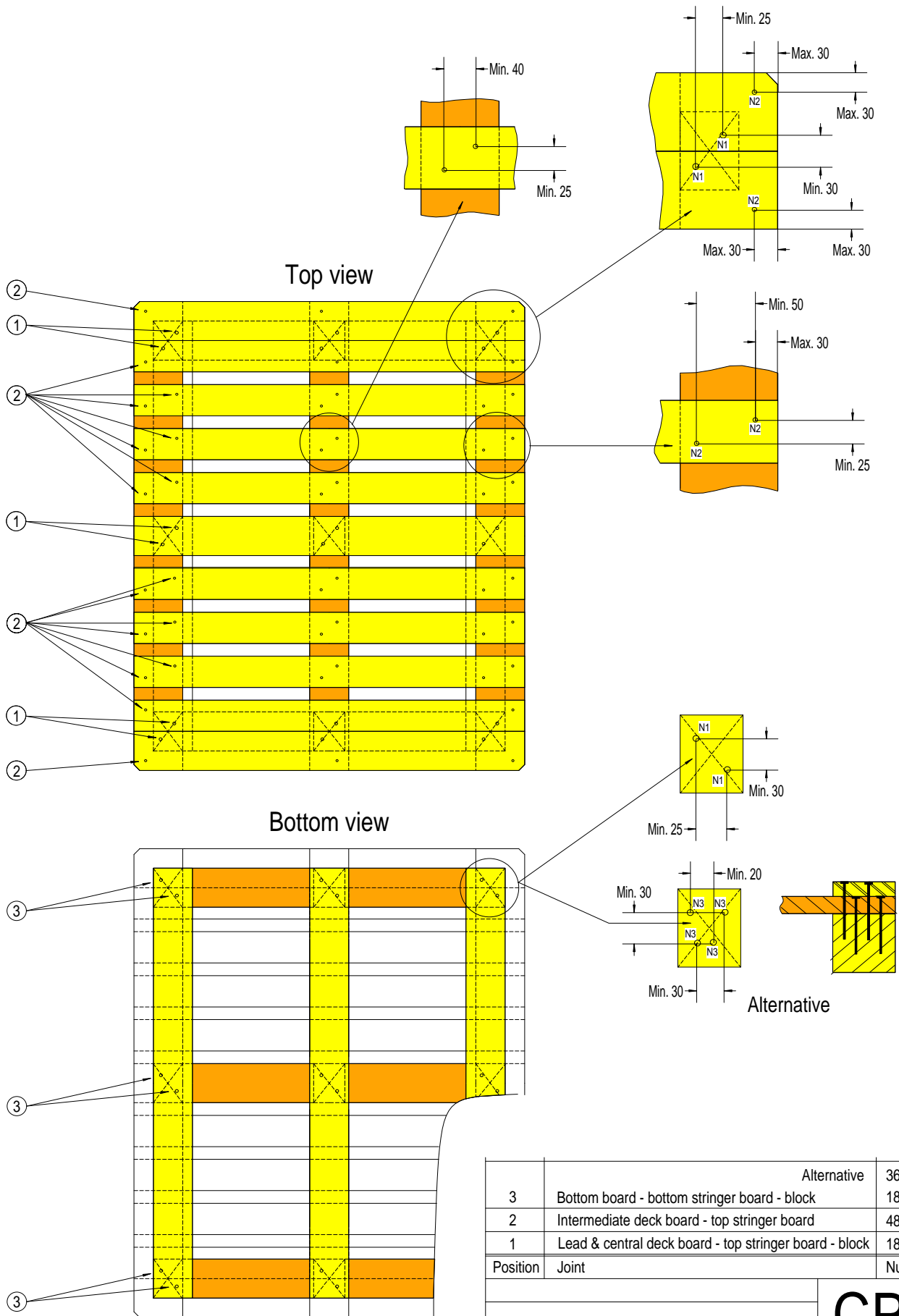
| 7   | Bottom board               | 3      | 1100 x 100 x 18    |
|-----|----------------------------|--------|--------------------|
| 6   | Bottom stringer board      | 3      | 900 x 100 x 18     |
| 5   | Block                      | 9      | 100 x 80 x 80      |
| 4   | Central top stringer board | 1      | 1200 x 100 x 22    |
| 3   | Lead top stringer board    | 2      | 1200 x 125 x 22    |
| 2   | Intermediate deck board    | 8      | 1000 x 80 x 18     |
| 1   | Lead & central deck board  | 3      | 1000 x 100 x 18    |
| Nr. | Denomination               | Number | Nominal dimensions |

Nominal timber volume: 42,7 dm<sup>3</sup>  
 Unit of measurement: mm | Projection 

**Wooden pallet 1200 x 1000 mm**

**CP6**  
 April 2004  
 Edition: 6

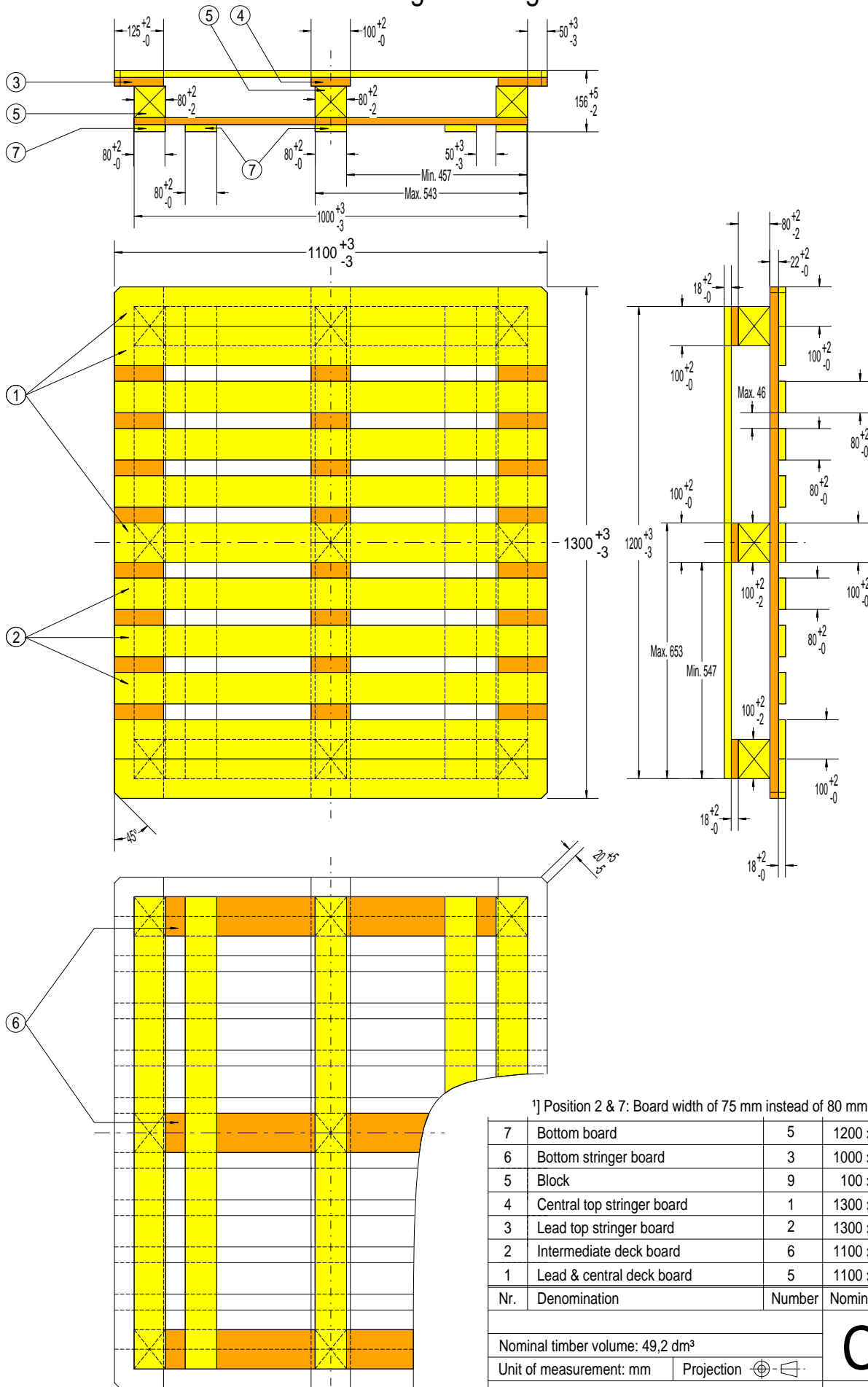
# Fastening pattern



|          |  |             |         |
|----------|--|-------------|---------|
| 3        | Bottom board - bottom stringer board - block           | Alternative | 36 x N3 |
| 2        | Intermediate deck board - top stringer board           |             | 18 x N1 |
| 1        | Lead & central deck board - top stringer board - block |             | 48 x N2 |
| Position | Joint  |             | Number  |

|                              |  |            |
|------------------------------|--|------------|
| Unit of measurement: mm      |  | <b>CP6</b> |
| Wooden pallet 1200 x 1000 mm |  |            |
|                              |  | April 2004 |
|                              |  | Edition: 6 |

# Design drawing



1] Position 2 & 7: Board width of 75 mm instead of 80 mm may be used.

|   |                            |   |                              |
|---|----------------------------|---|------------------------------|
| 7 | Bottom board               | 5 | 1200 x 80 x 18 <sup>1]</sup> |
| 6 | Bottom stringer board      | 3 | 1000 x 100 x 18              |
| 5 | Block                      | 9 | 100 x 80 x 80                |
| 4 | Central top stringer board | 1 | 1300 x 100 x 22              |
| 3 | Lead top stringer board    | 2 | 1300 x 125 x 22              |
| 2 | Intermediate deck board    | 6 | 1100 x 80 x 18 <sup>1]</sup> |
| 1 | Lead & central deck board  | 5 | 1100 x 100 x 18              |

| Nr. | Denomination | Number | Nominal dimensions |
|-----|--------------|--------|--------------------|
|-----|--------------|--------|--------------------|

Nominal timber volume: 49,2 dm<sup>3</sup>

Unit of measurement: mm Projection

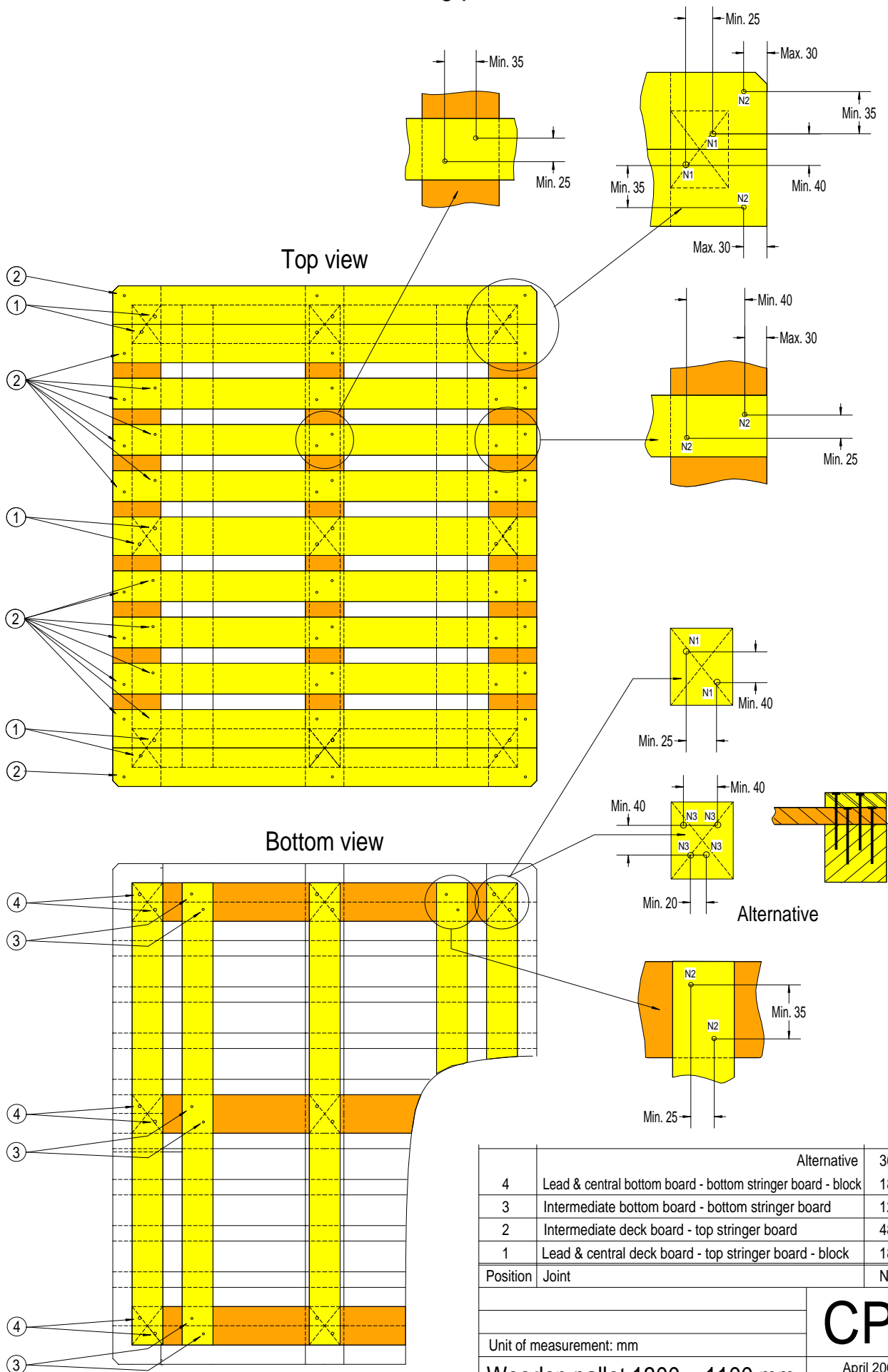
**Wooden pallet 1300 x 1100 mm**

# CP7

April 2004

Edition: 6

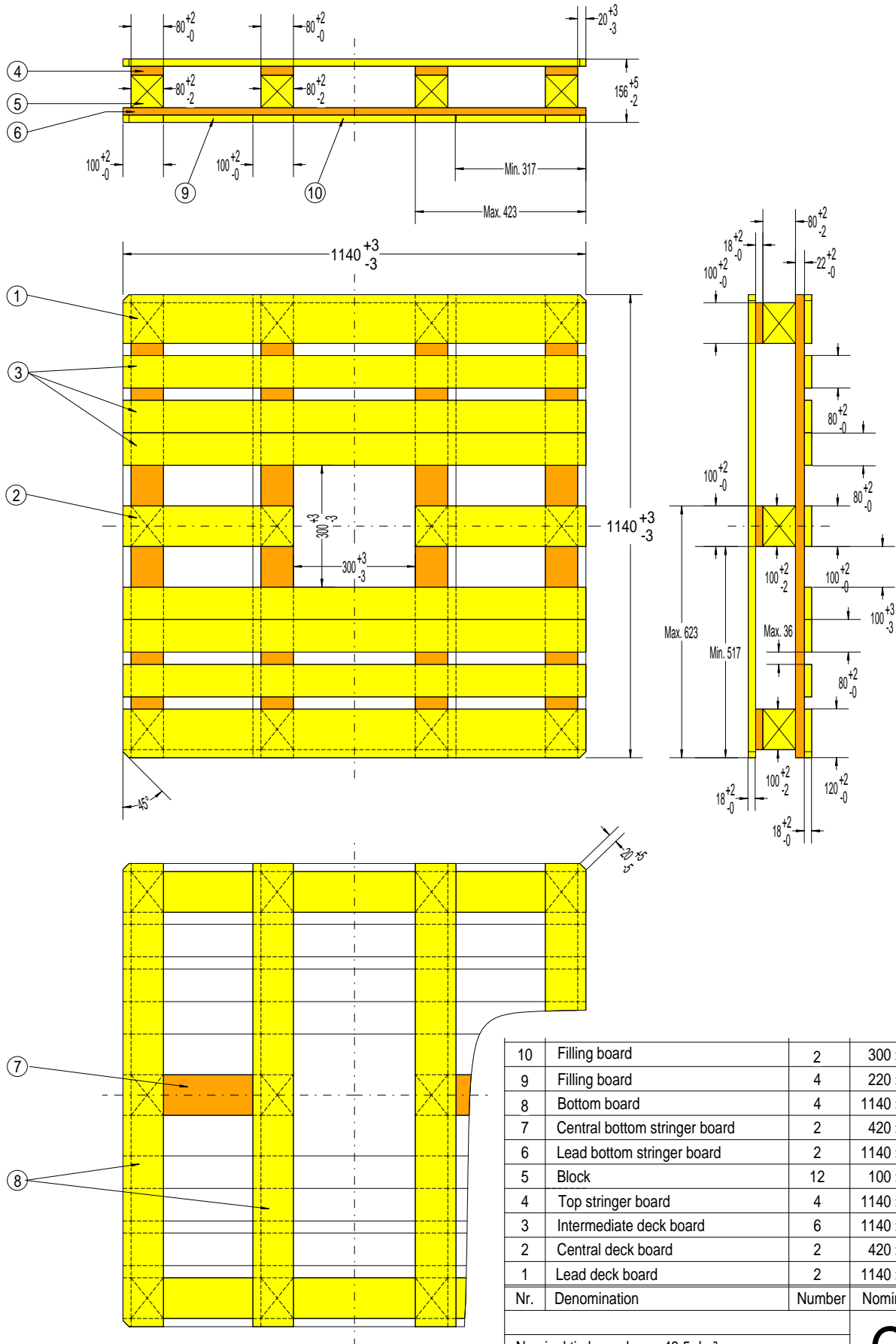
# Fastening pattern



|          |   |             |         |
|----------|---|-------------|---------|
|          |   | Alternative | 36 x N3 |
| 4        | Lead & central bottom board - bottom stringer board - block |             | 18 x N1 |
| 3        | Intermediate bottom board - bottom stringer board           |             | 12 x N2 |
| 2        | Intermediate deck board - top stringer board                |             | 48 x N2 |
| 1        | Lead & central deck board - top stringer board - block      |             | 18 x N1 |
| Position | Joint   |             | Number  |

|                              |  |            |
|------------------------------|--|------------|
| Unit of measurement: mm      |  | CP7        |
| Wooden pallet 1300 x 1100 mm |  |            |
| April 2004                   |  |            |
|                              |  | Edition: 6 |

# Design drawing



| 10  | Filling board                 | 2      | 300 x 100 x 18     |
|-----|-------------------------------|--------|--------------------|
| 9   | Filling board                 | 4      | 220 x 100 x 18     |
| 8   | Bottom board                  | 4      | 1140 x 100 x 18    |
| 7   | Central bottom stringer board | 2      | 420 x 100 x 18     |
| 6   | Lead bottom stringer board    | 2      | 1140 x 100 x 18    |
| 5   | Block                         | 12     | 100 x 80 x 80      |
| 4   | Top stringer board            | 4      | 1140 x 80 x 22     |
| 3   | Intermediate deck board       | 6      | 1140 x 80 x 18     |
| 2   | Central deck board            | 2      | 420 x 100 x 18     |
| 1   | Lead deck board               | 2      | 1140 x 120 x 18    |
| Nr. | Denomination                  | Number | Nominal dimensions |

Nominal timber volume: 48,5 dm<sup>3</sup>

Unit of measurement: mm Projection

Wooden pallet 1140 x 1140 mm

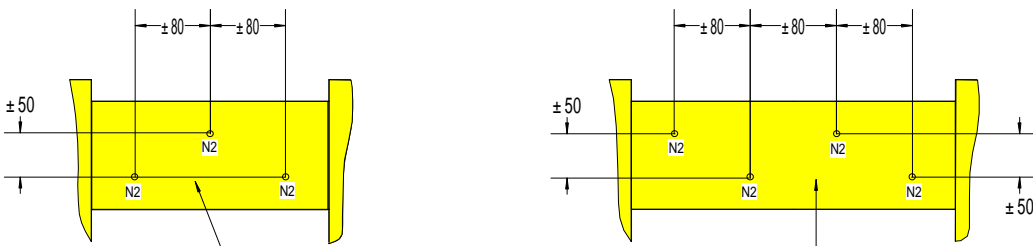
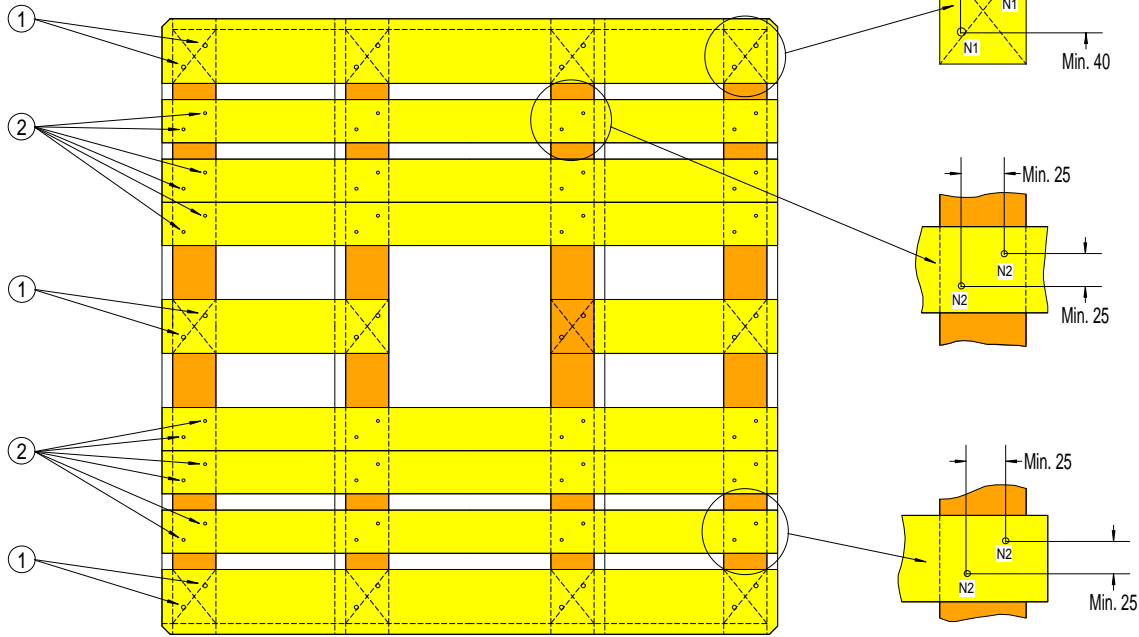
# CP8

April 2004

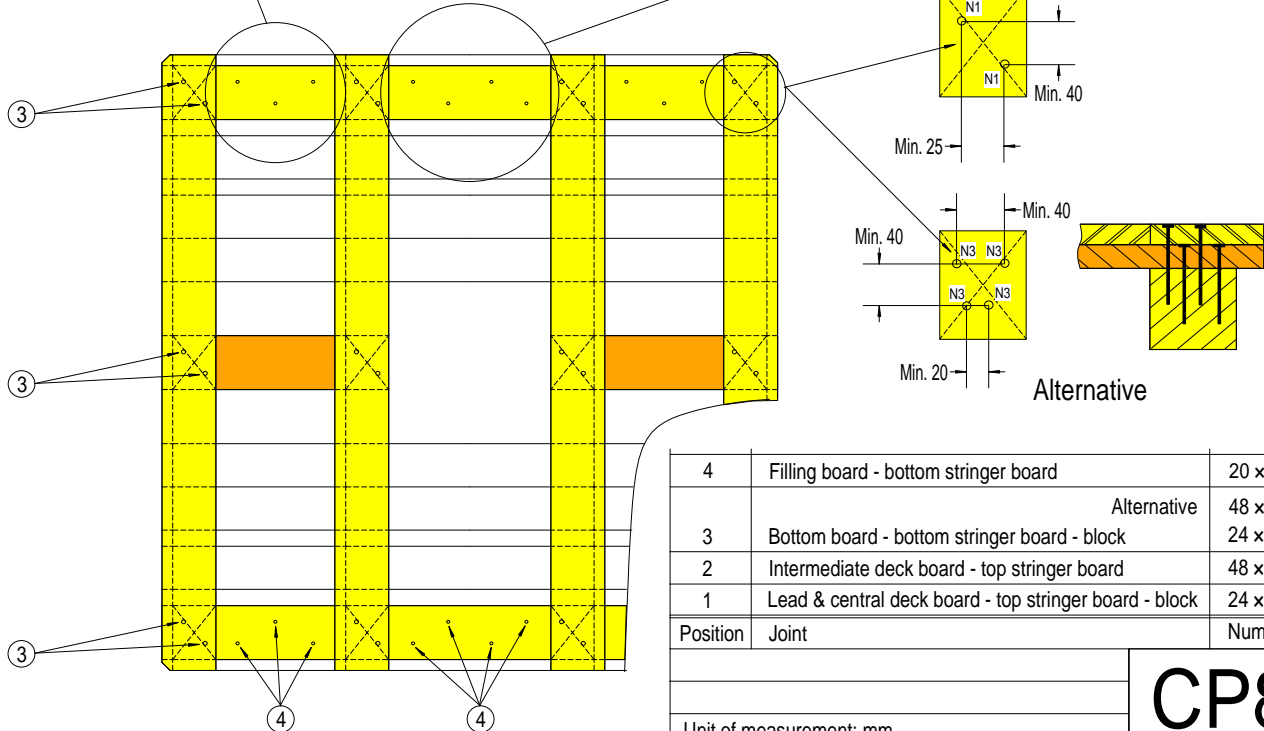
Edition: 6

# Fastening pattern

## Top view



## Bottom view



|          |  |         |
|----------|--|---------|
| 4        | Filling board - bottom stringer board                  | 20 x N2 |
|          | Alternative  | 48 x N3 |
| 3        | Bottom board - bottom stringer board - block           | 24 x N1 |
| 2        | Intermediate deck board - top stringer board           | 48 x N2 |
| 1        | Lead & central deck board - top stringer board - block | 24 x N1 |
| Position | Joint  | Number  |

Unit of measurement: mm

Wooden pallet 1140 x 1140 mm

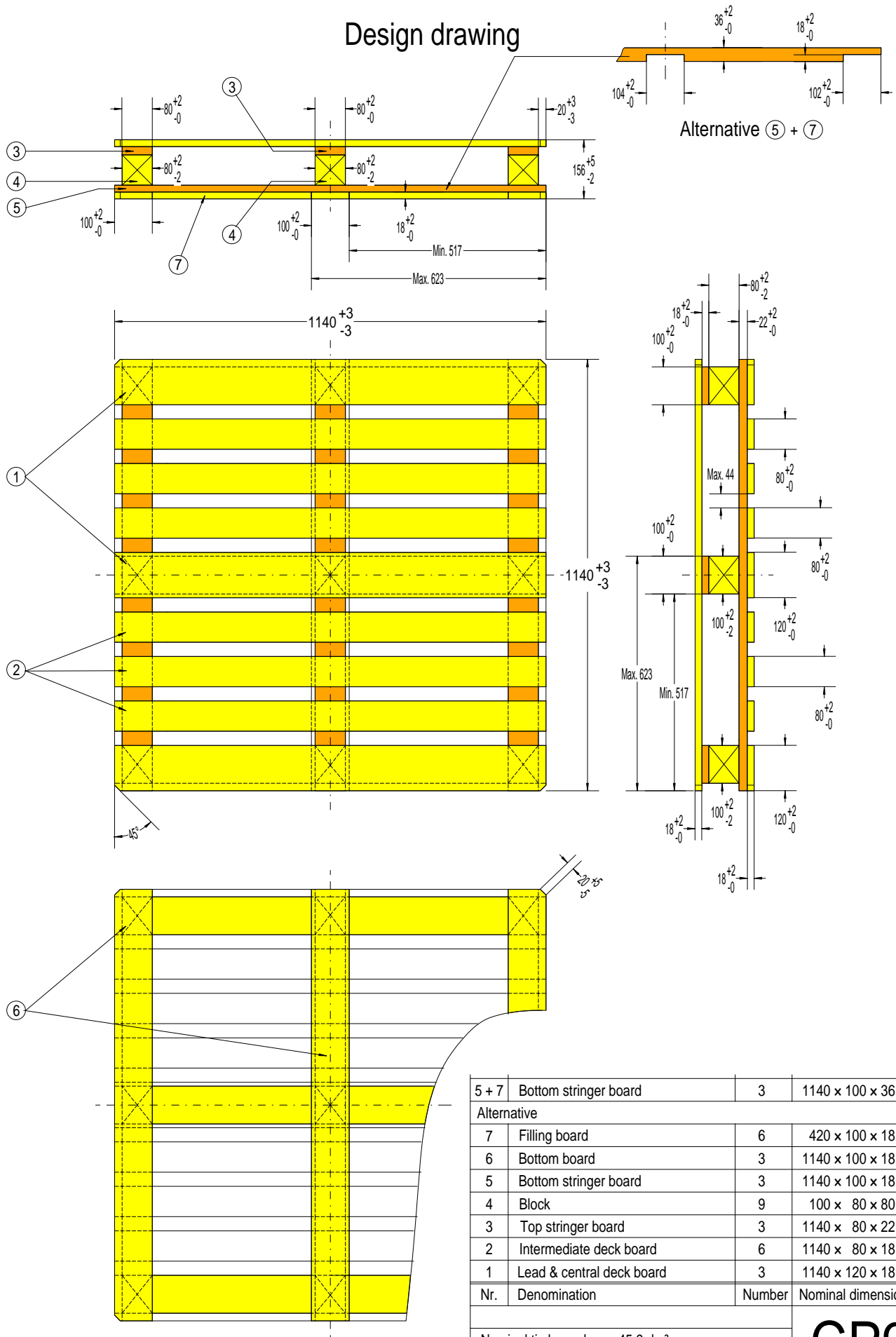
# CP8

April 2004

Edition: 6



# Design drawing



| 5 + 7       | Bottom stringer board     | 3      | 1140 x 100 x 36    |
|-------------|---------------------------|--------|--------------------|
| Alternative |                           |        |                    |
| 7           | Filling board             | 6      | 420 x 100 x 18     |
| 6           | Bottom board              | 3      | 1140 x 100 x 18    |
| 5           | Bottom stringer board     | 3      | 1140 x 100 x 18    |
| 4           | Block                     | 9      | 100 x 80 x 80      |
| 3           | Top stringer board        | 3      | 1140 x 80 x 22     |
| 2           | Intermediate deck board   | 6      | 1140 x 80 x 18     |
| 1           | Lead & central deck board | 3      | 1140 x 120 x 18    |
| Nr.         | Denomination              | Number | Nominal dimensions |

Nominal timber volume: 45,9 dm<sup>3</sup>

Unit of measurement: mm Projection

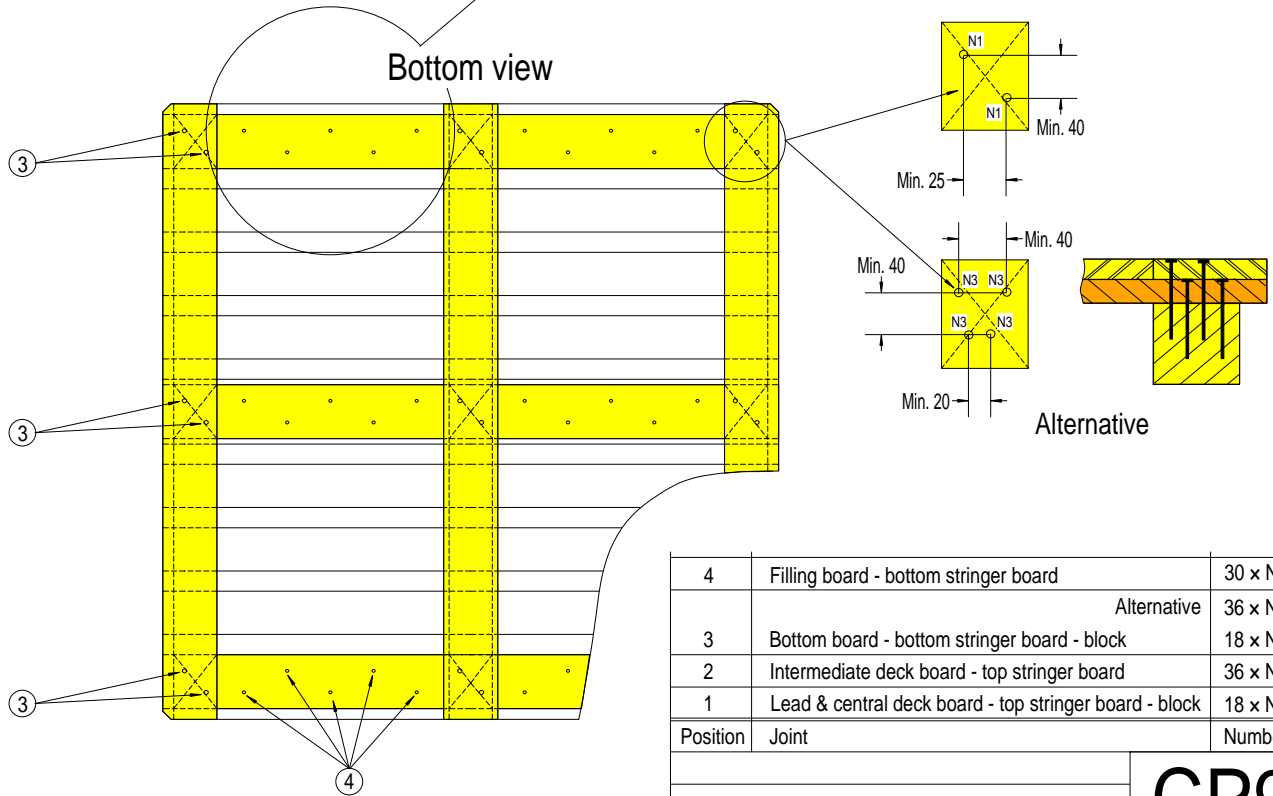
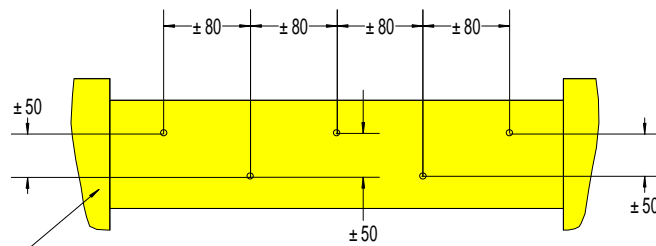
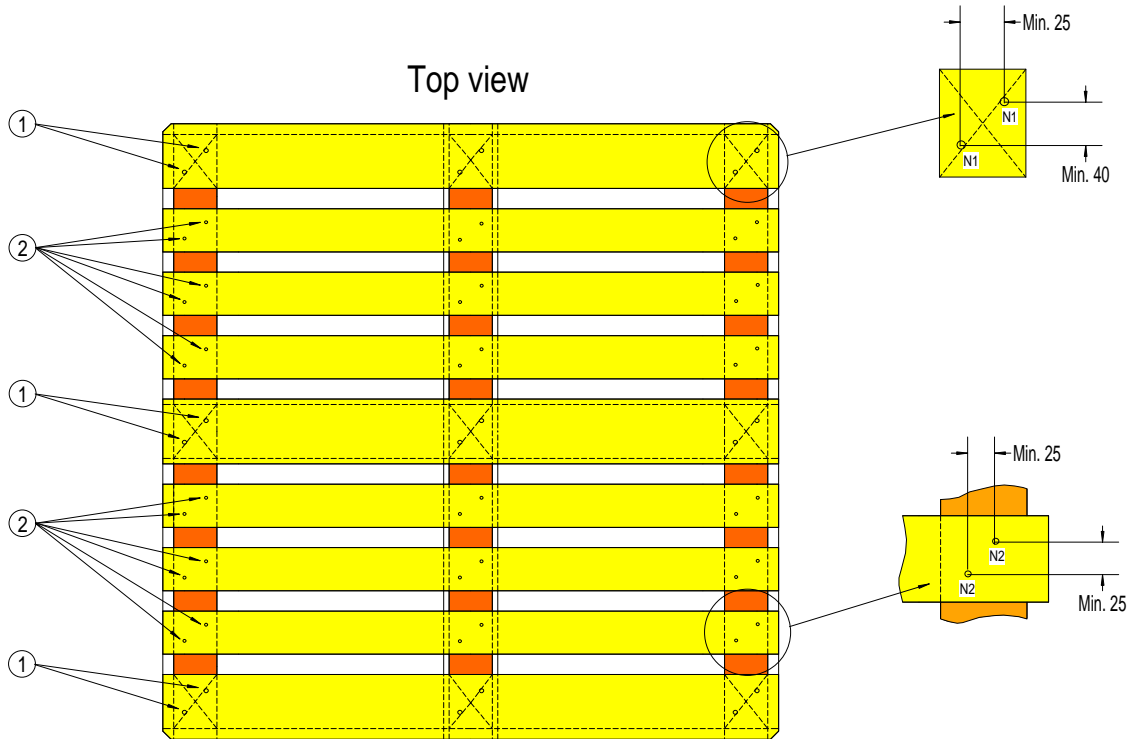
Wooden pallet 1140 x 1140 mm

# CP9

April 2004

Edition: 6

# Fastening pattern



|          |  |                     |
|----------|--|---------------------|
| 4        | Filling board - bottom stringer board                  | 30 × N2             |
|          |  | Alternative 36 × N3 |
| 3        | Bottom board - bottom stringer board - block           | 18 × N1             |
| 2        | Intermediate deck board - top stringer board           | 36 × N2             |
| 1        | Lead & central deck board - top stringer board - block | 18 × N1             |
| Position | Joint  | Number              |

Unit of measurement: mm

Wooden pallet 1140 × 1140 mm

# CP9

April 2004

Edition: 6